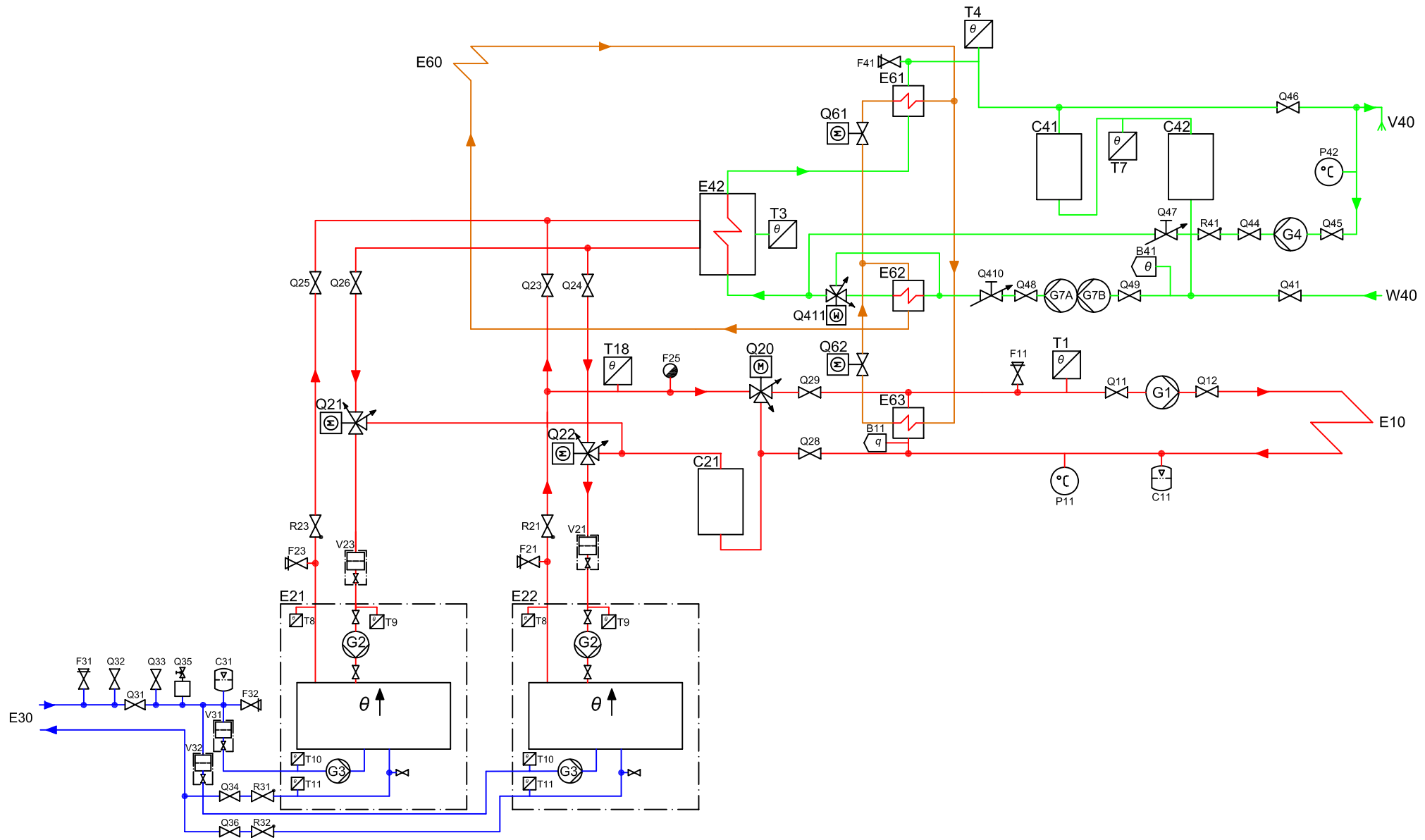


T2
θ



Symbols according to SS-ISO 14617
 Letter codes according to IEC 61346-2
 This is a principal drawing



Edition	Date
1	060531
Drawing number	Drawn by
3066	PO/GE