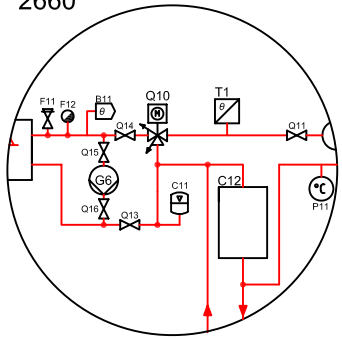
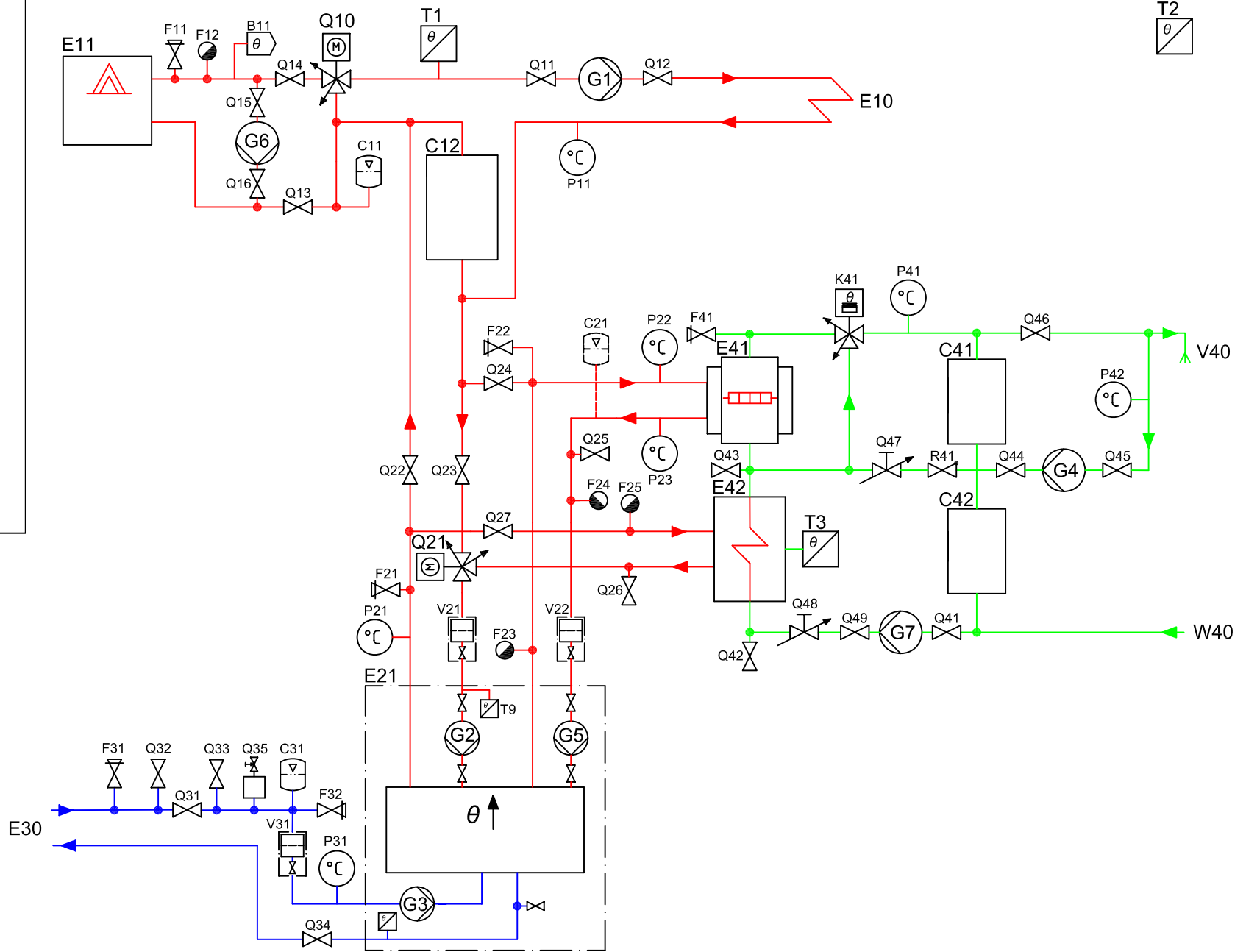
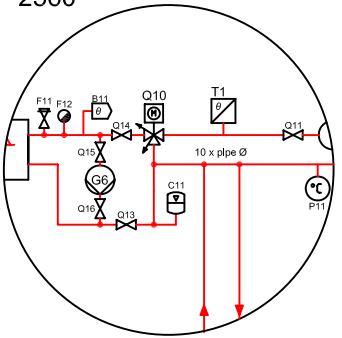


2660



2560



Symbols according to SS-ISO 14617
 Letter codes according to IEC 61346-2
 This is a principal drawing



Edition	1	Date	061211
Drawing number	2660/2560	Drawn by	PO