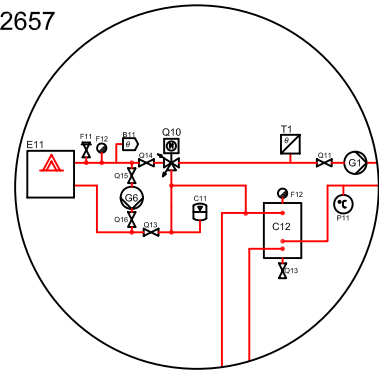
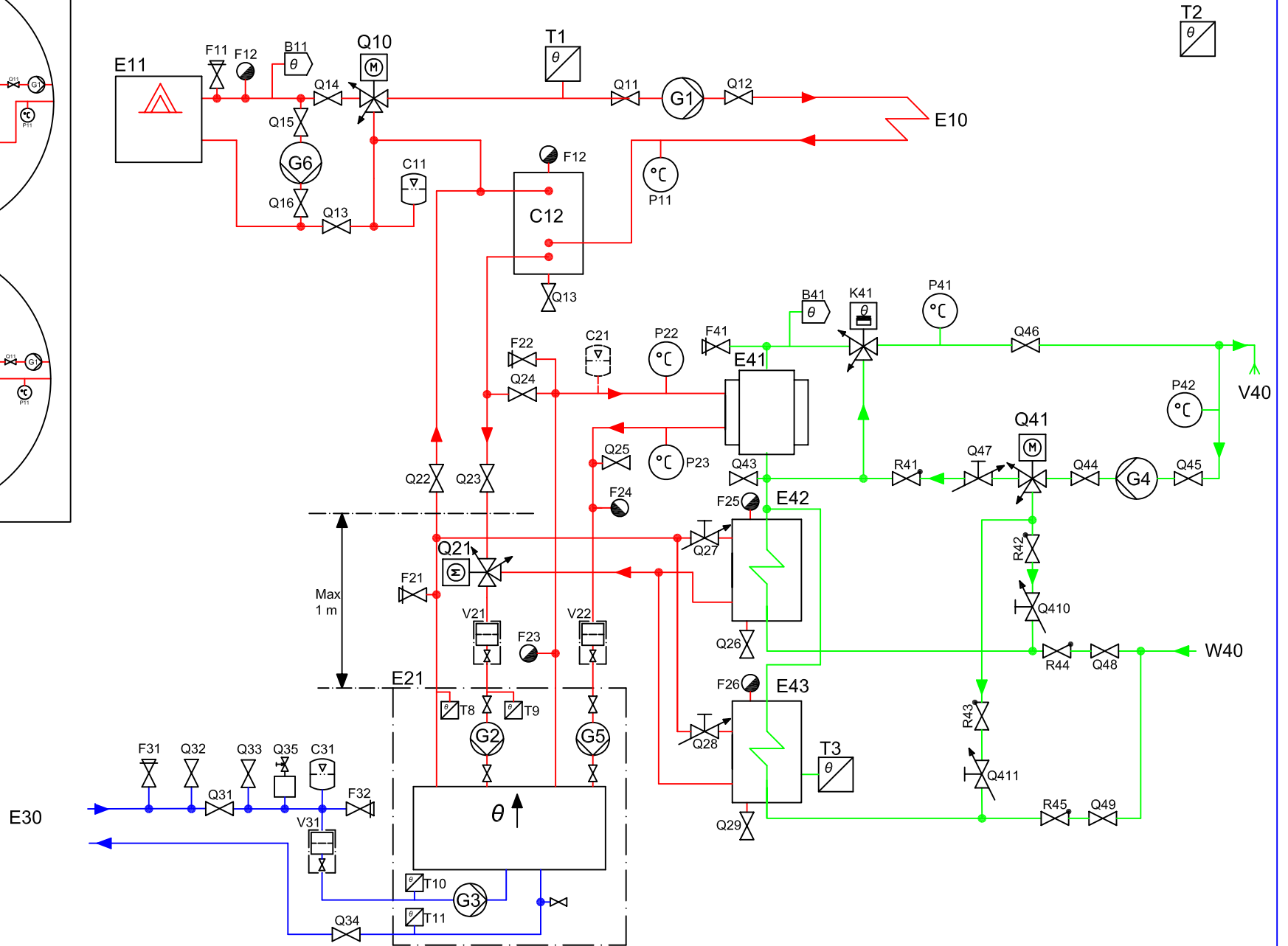
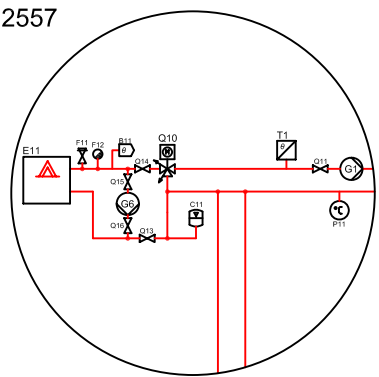


2657



2557



Symbols according to SS-ISO 14617
 Letter codes according to IEC 61346-2
 This is a principal drawing



Systemlösning för
 Greenline
 F+36H och F+43H

Edition	1	Date	080320
Drawing number	2657	Drawn by	GE/EH