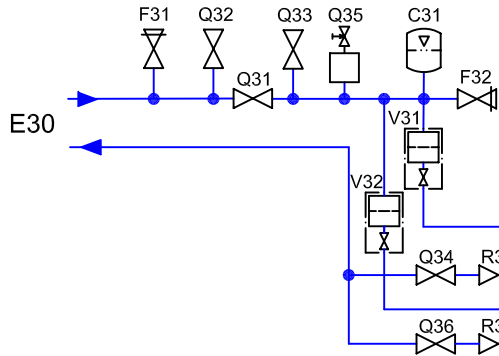
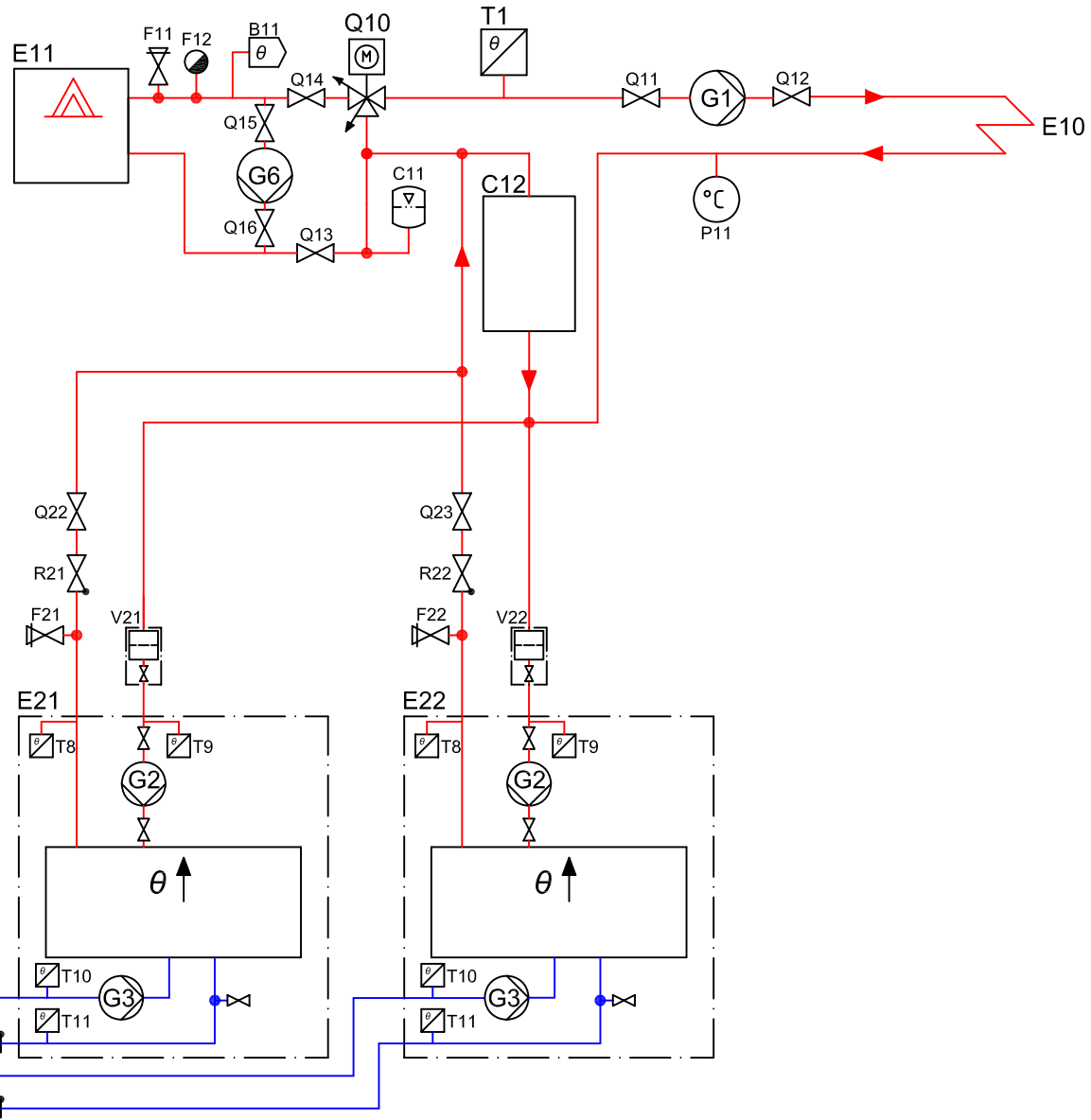
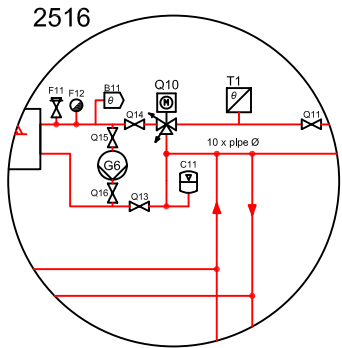
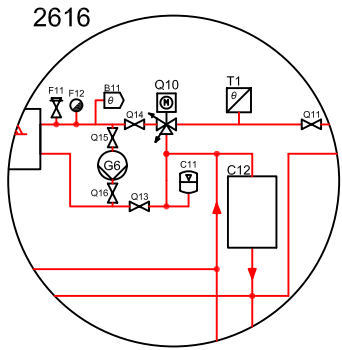


T2
θ



Symbols according to SS-ISO 14617
 Letter codes according to IEC 61346-2
 This is a principal drawing



Edition	1	Date	061205
Drawing number	2616/2516	Drawn by	PQ