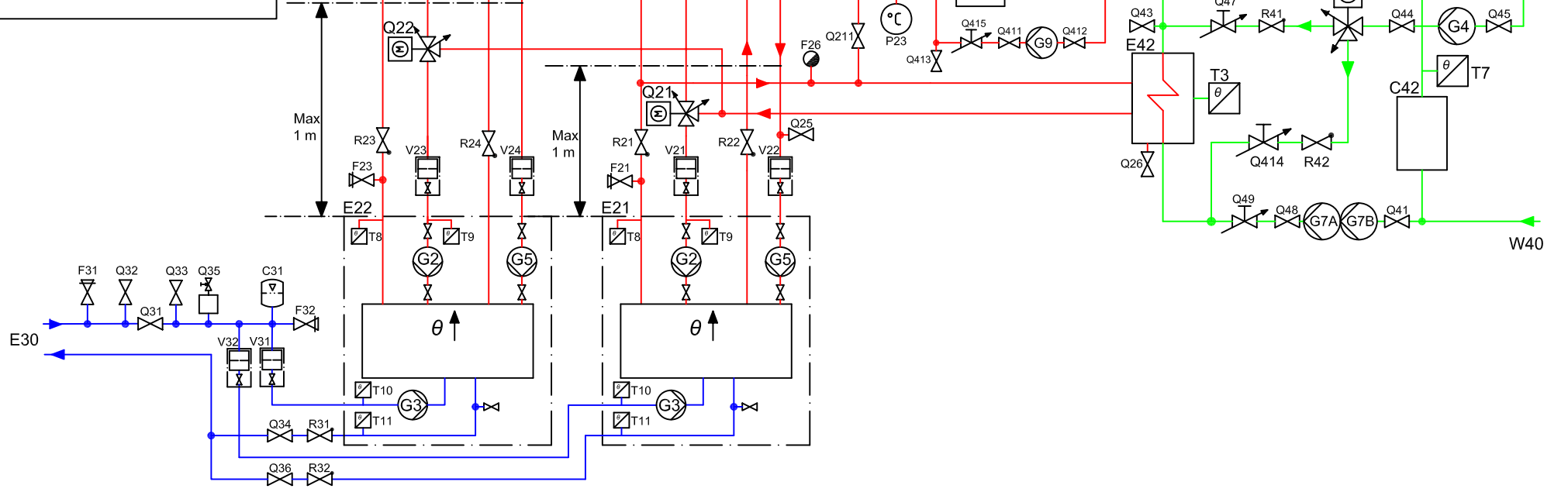
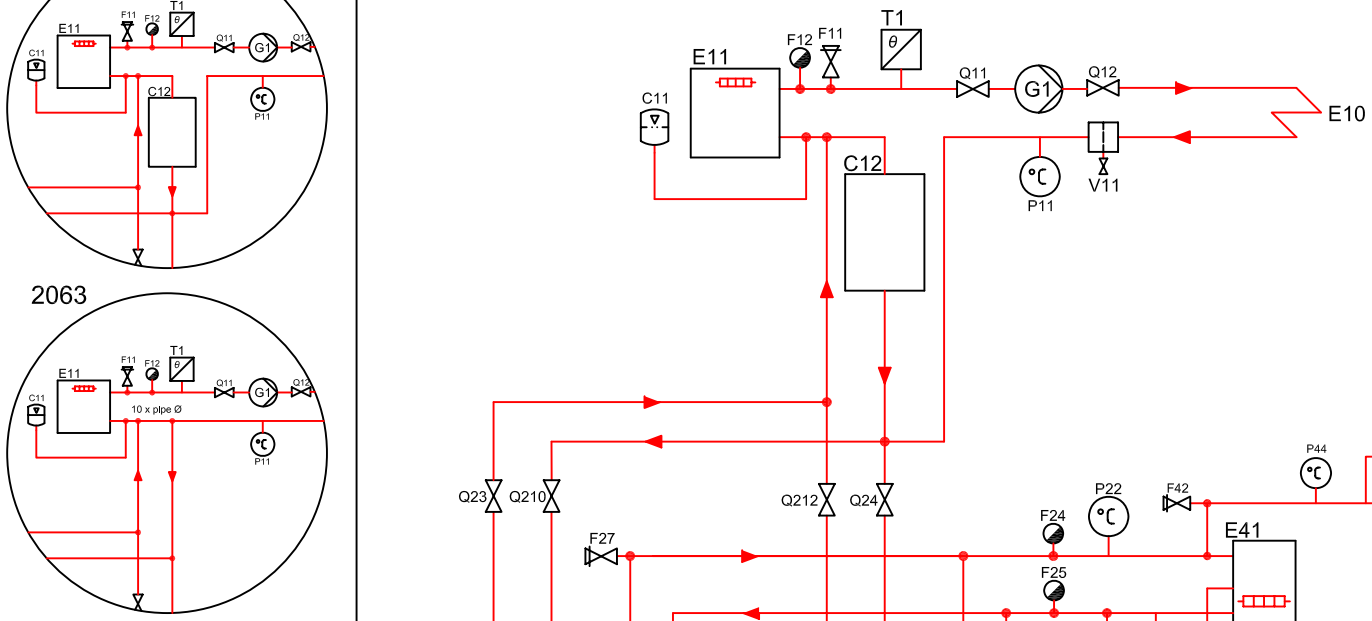
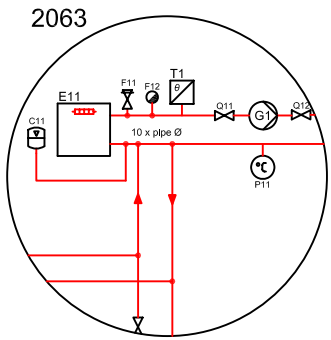
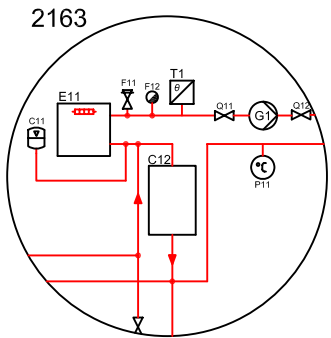


T2  
θ



Max  
1 m

Max  
1 m

Symbols according to SS-ISO 14617  
Letter codes according to IEC 61346-2  
This is a principal drawing



Systemlösning för  
Greenline  
F+36 och F+43

Edition	1	Date	080513
Drawing number	2163/2063	Drawn by	PD/EH