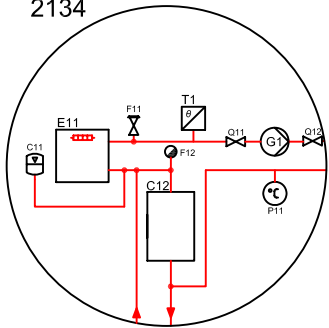
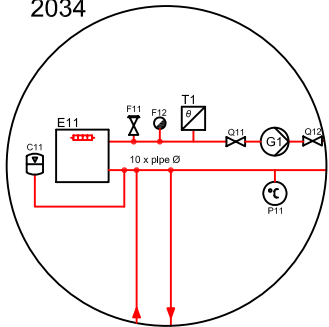


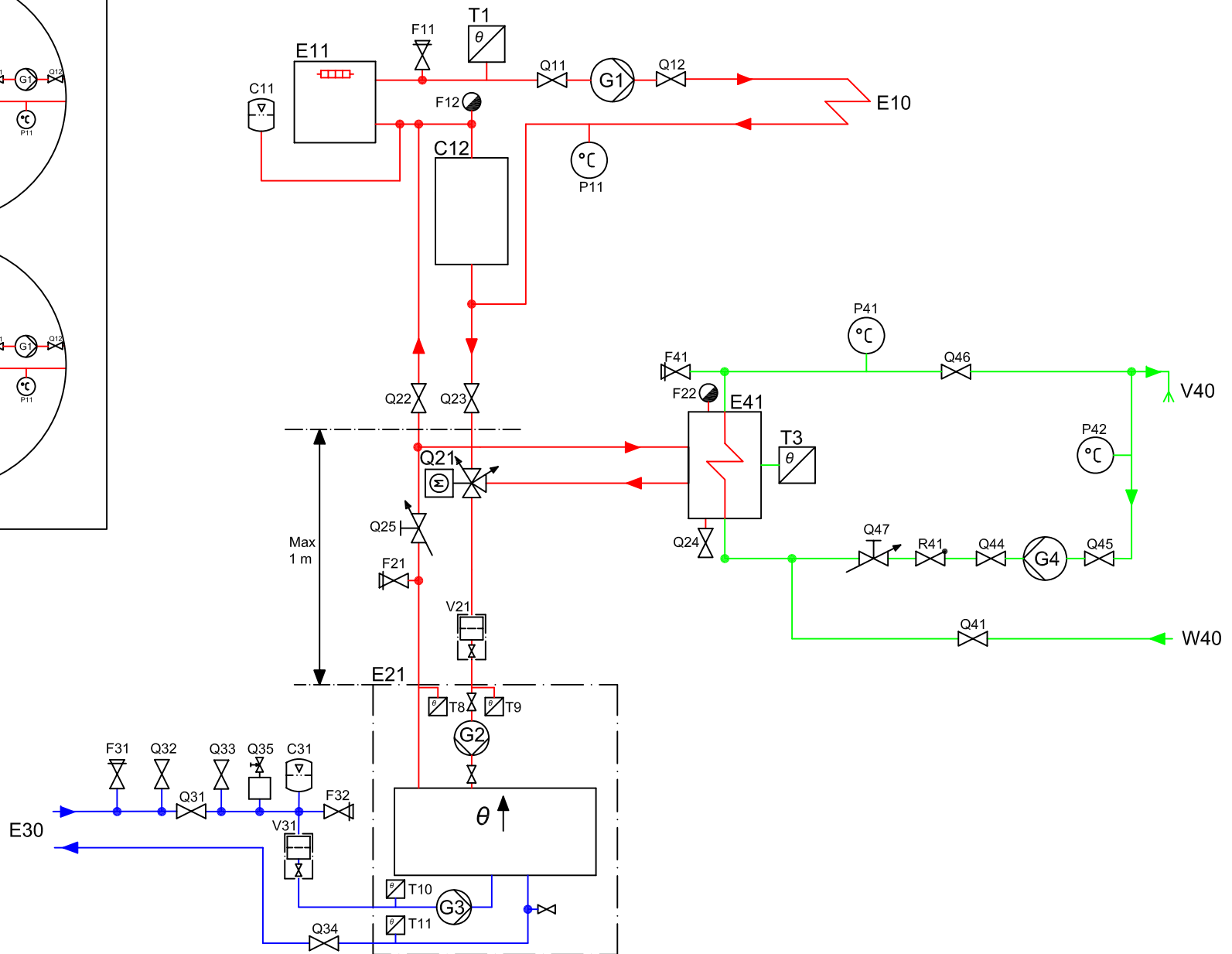
2134



2034



T2
θ



Symbols according to SS-ISO 14617
 Letter codes according to IEC 61346-2
 This is a principal drawing



Systemlösning för
 Greenline
 G och G+

Edition	2	Date	080325
Drawing number	2134/2034	Drawn by	PD/EH