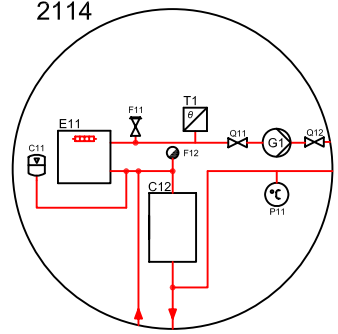
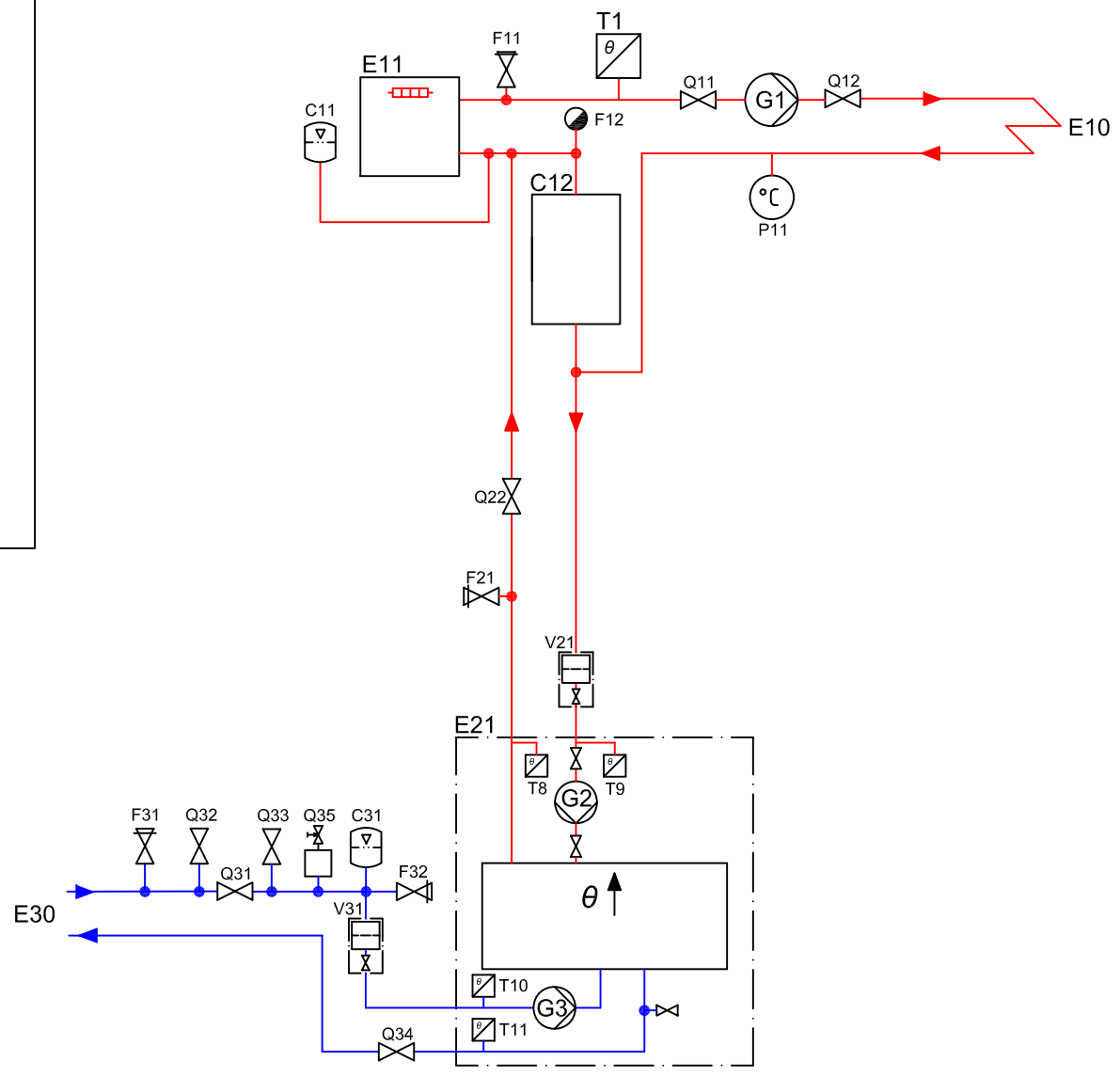
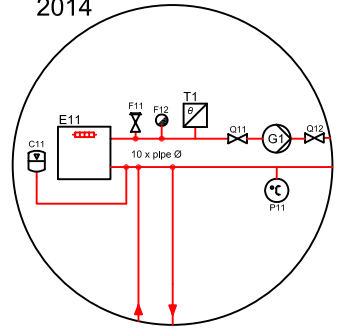


2114



2014



Symbols according to SS-ISO 14617  
Letter codes according to IEC 61346-2  
This is a principal drawing



Systemlösning för  
Greenline  
G och G+

Edition	2	Date	080325
Drawing number	2114/2014	Drawn by	PD/EH