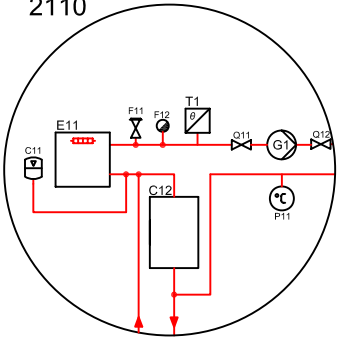
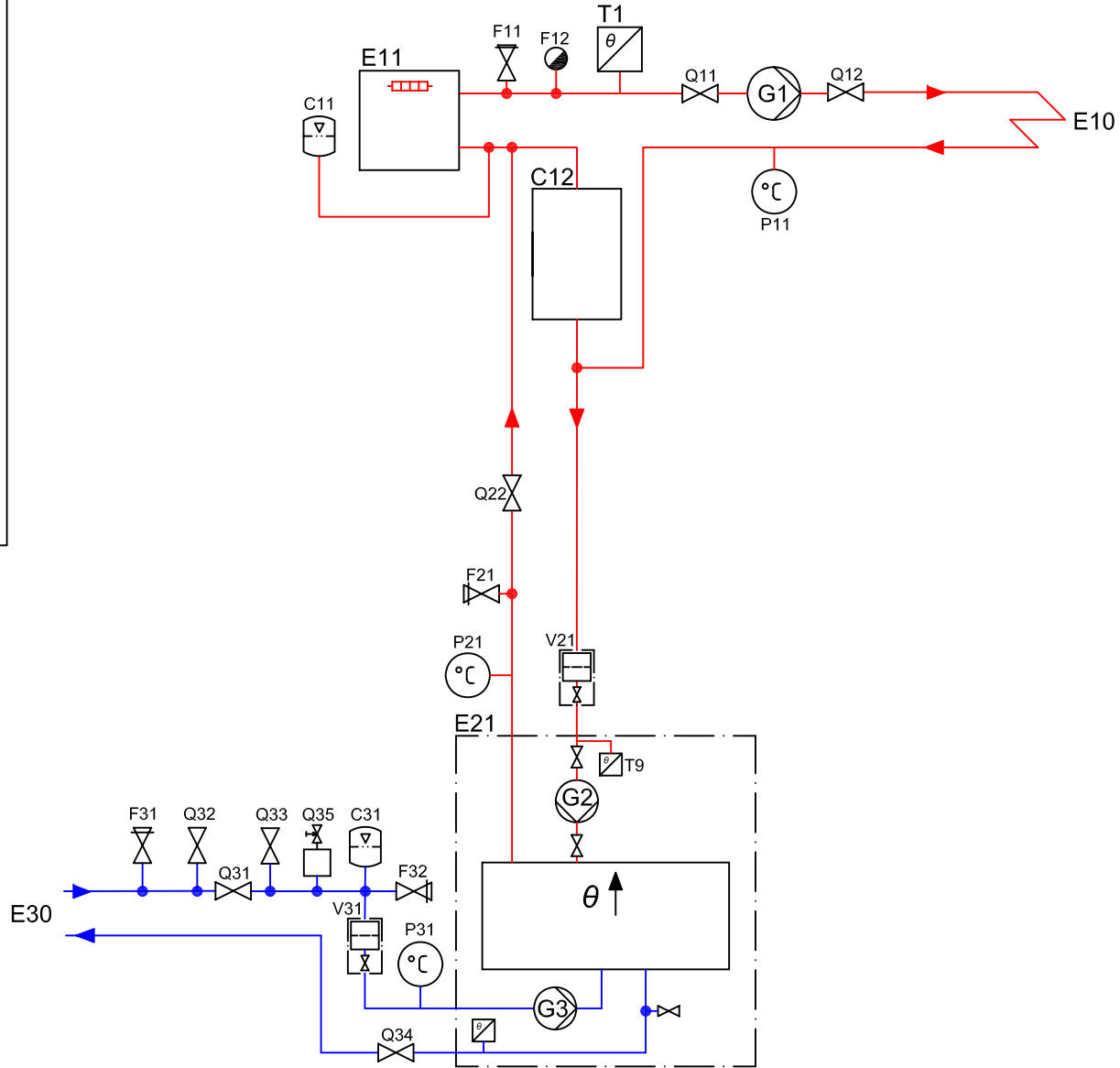
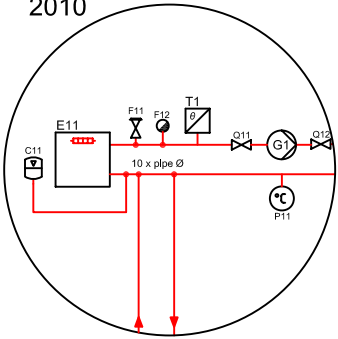


2110



2010



Symbols according to SS-ISO 14617  
 Letter codes according to IEC 61346-2  
 This is a principal drawing



Edition	1	Date	061120
Drawing number	2110/2010	Drawn by	PQ