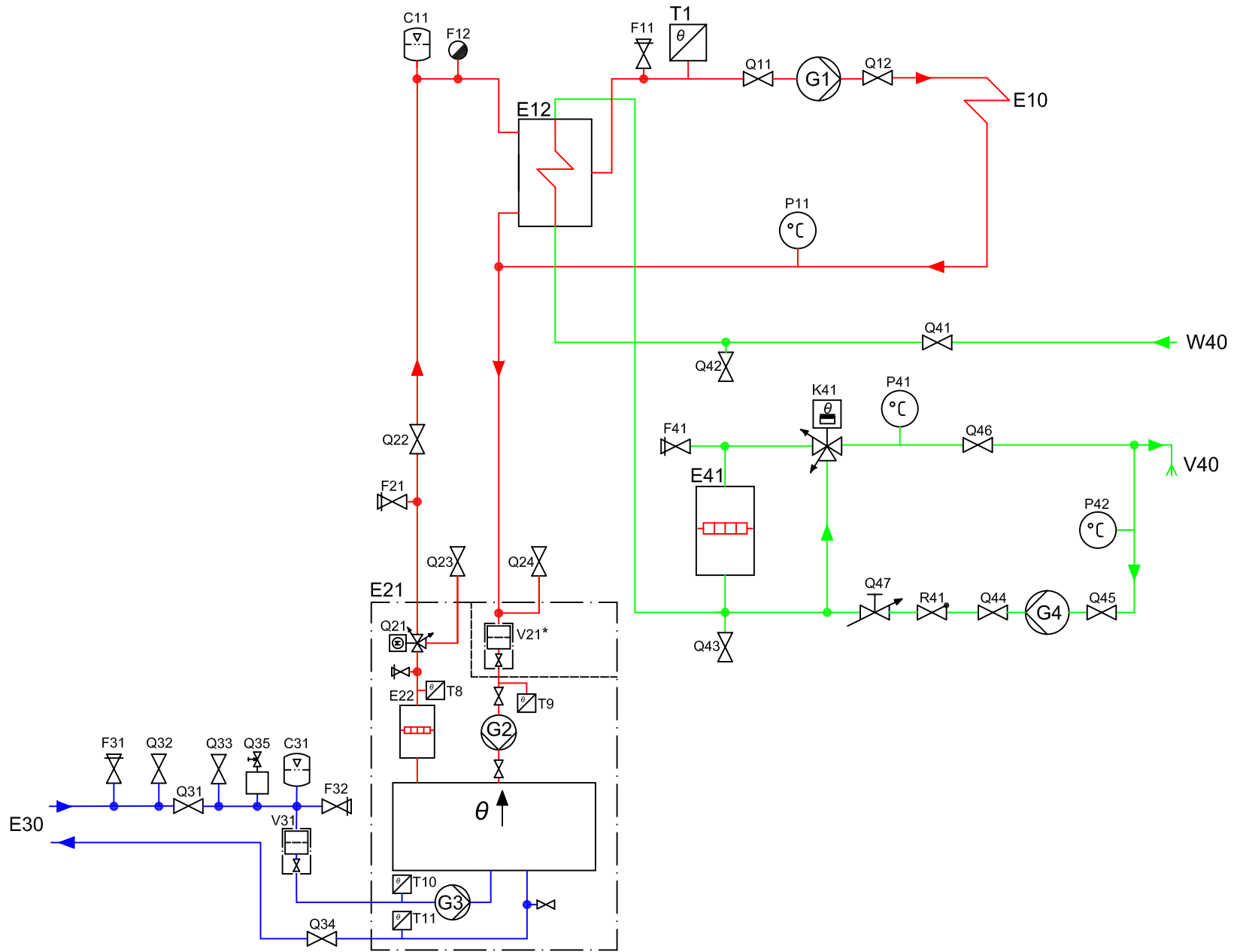


T2



Symbols according to SS-ISO 14617  
 Letter codes according to IEC 61346-2  
 This is a principal drawing



Edition	Date
1	020701
Drawing number	Drawn by
1140	PO